



NO. 27 BERLIN



VERSION 1



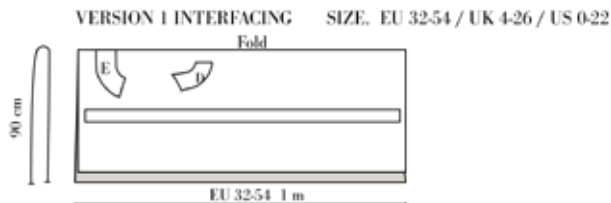
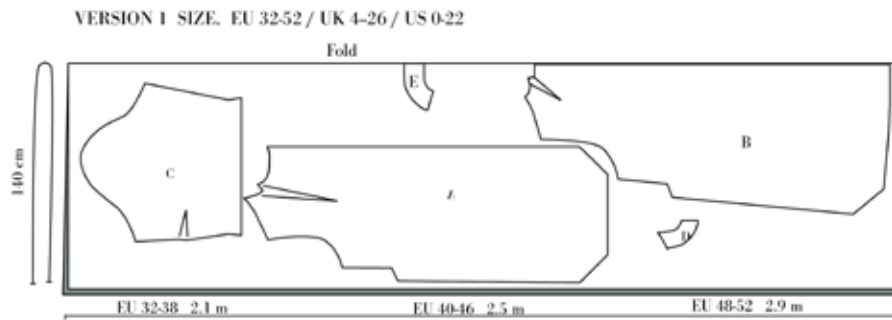
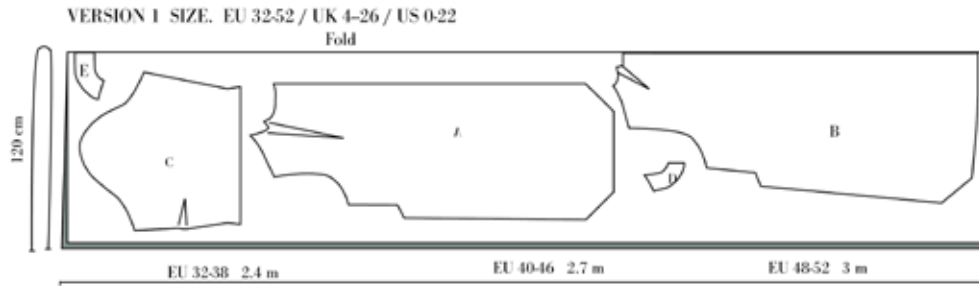


Cutting Fabric:

On each pattern piece, you will find a capital letter. On the cutting layout plan, you will find the same capital letters so that you can easily see which pattern pieces to use for the view you have chosen.

YOU WILL NEED THE FOLLOWING PATTERN PIECES:

A,B,C,D,E

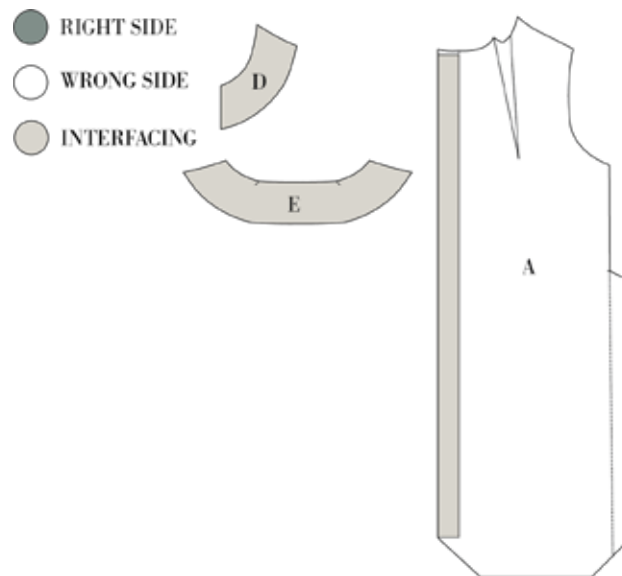




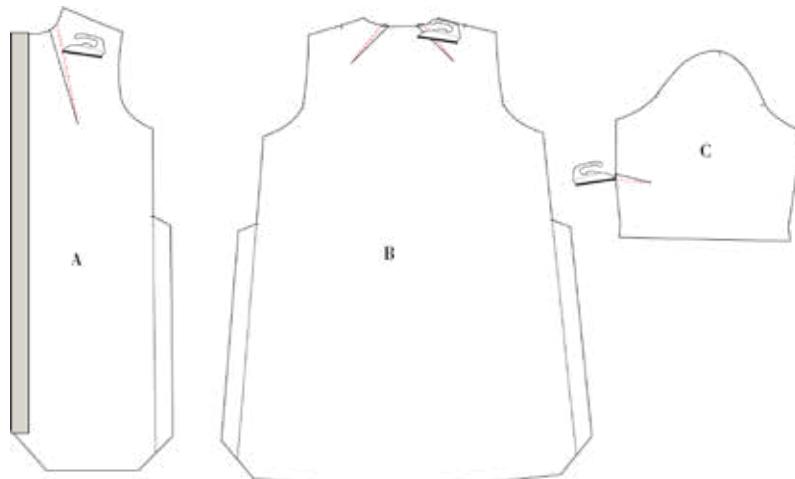
Sewing instructions

NOTE! THE PATTERN HAS 1 CM SEAM ALLOWANCES INCLUDED UNLESS OTHERWISE NOTED.

1. Cut all your pieces in fabric and interfacing as needed.
2. Press interfacing to the front and neck facing (D) (E) and on the build-in facing on the front piece (A)



3. Sew the darts on the front pieces (A) with right sides together. Fold according to the markings. Press towards centre front
4. Sew the darts on the back pieces (B) with right sides together. Fold according to the markings. Press towards center back
5. Sew the darts on the sleeves (C) with right sides together. Fold according to the markings. Press the darts upwards.





6. Finish the seams of:

You can finish by overlocking, making a zig-zag or with bias tape.

-Center front

-Bottom on both front and back

-Side seams - see video online on how to overlock the angle

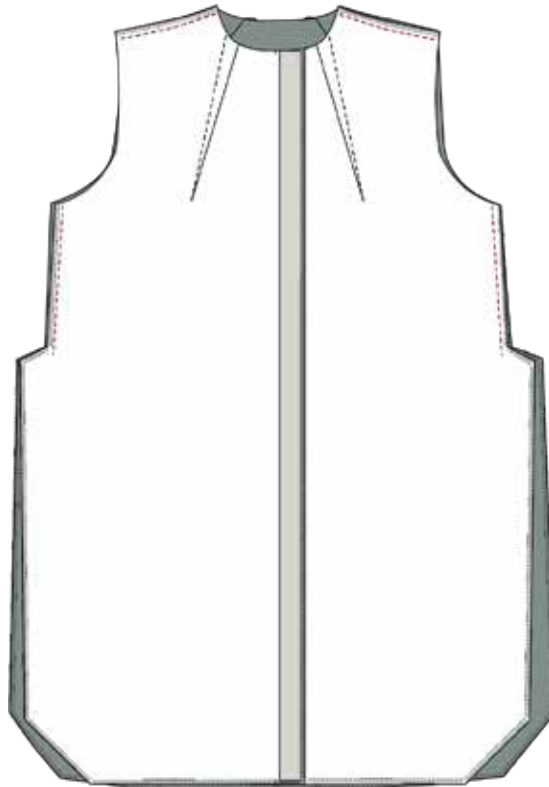
-Shoulder seams

-Inner seam of the sleeves.



7. Sew front and back pieces together at shoulder seams, right sides together. Press seams open.

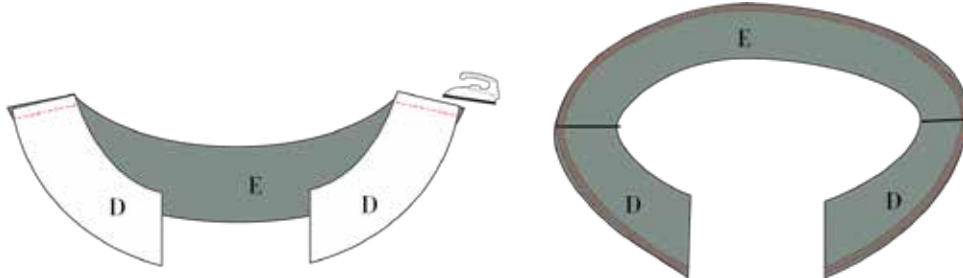
8. Sew front and back pieces together in the side seams, right sides together. Stop at the marking and press seams open.



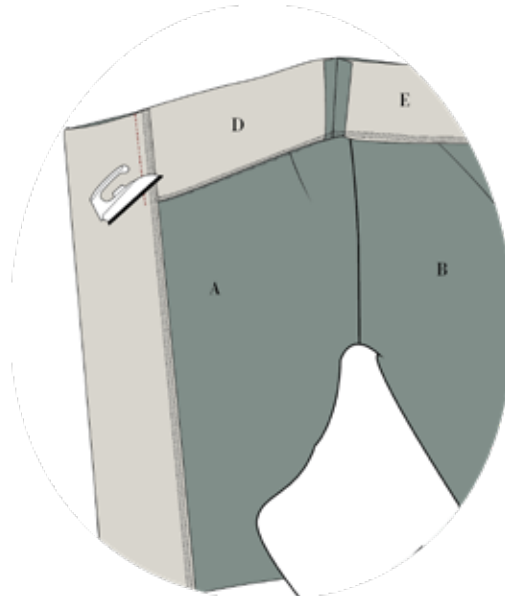


9. Sew the neck facing pieces (E & D) together at the shoulder seams matching notches, right sides together. Press seams open.

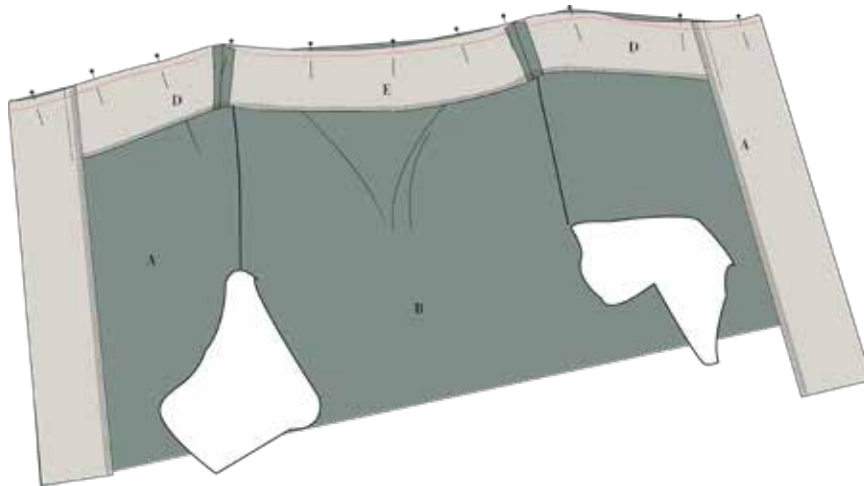
10. Finish the long edge of the neck facing.



- 11. Sew the front of the neck facing to the front of the coat at the neckline, matching notches, right sides together. Press seam towards neck facing. See the drawing below.

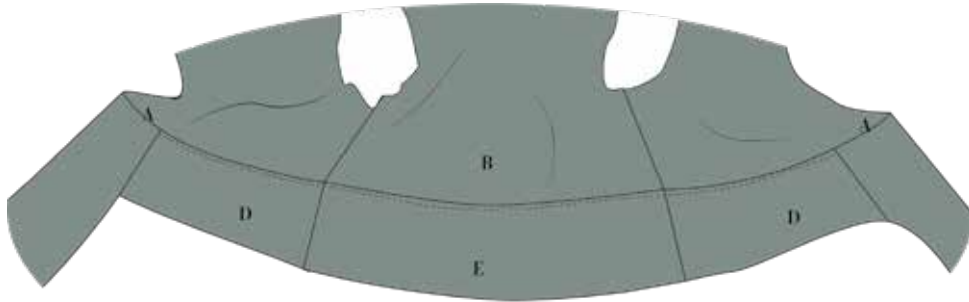


12. Attach the neck facing to the neck of the coat. Pair the shoulder seam of the neck facing and the coat on top of each other. Press seam allowance towards the facing of the coat.





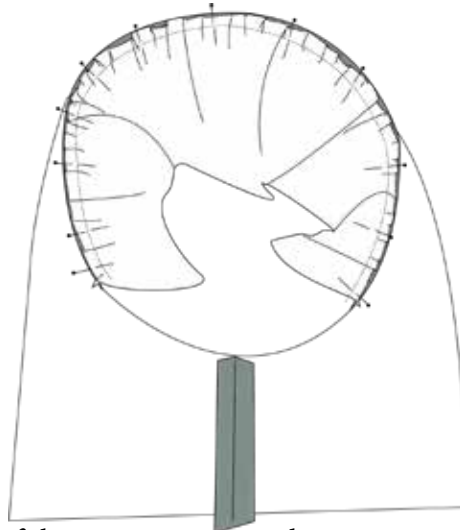
13. Clip notches and Understitch the facing, making sure you catch the seam allowance. Turn the facing to the wrong side.



14. Sew the sleeves, right sides together. Press seam open .

15. Sew an ease stitch 0.5 cm and 1.5 cm around the sleeve head.

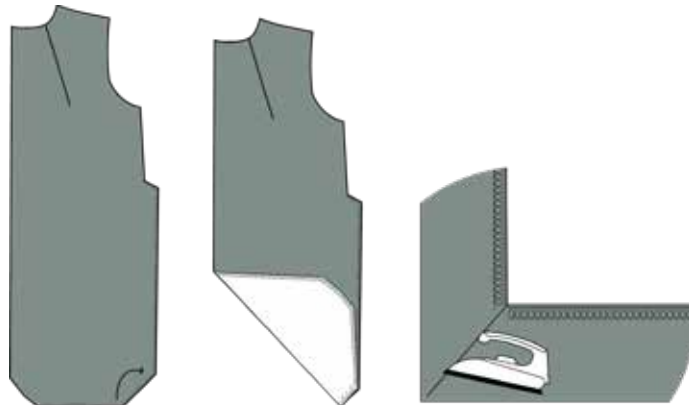
16. Attach the sleeve to the armscye matching notches at the shoulder seam and front piece (A). See guideonline



17. Finish the edge of the armscye. Press the seam towards the sleeve.

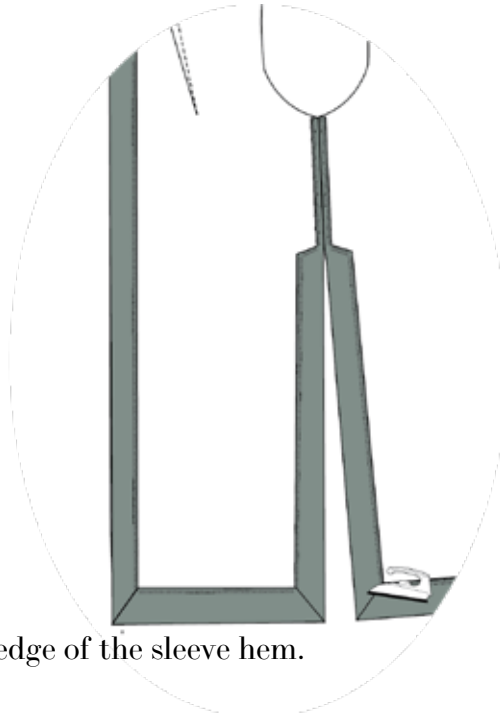
HEMMING

18. Start by sewing all six corners on front and back pieces by folding the slanted edge in half right sides together and sew along the open edge





19. Turn and press the hemline, the front edge and slits with 5 cm.



20. Finish the edge of the sleeve hem.

21. Turn the sleeve hem up 5 cm and press in place

22. Hem the coat either with a catchstitch for an invisible hemline or top stitch 4.5 cm from the folded edge.

